



007 Series Straight Cut Punches

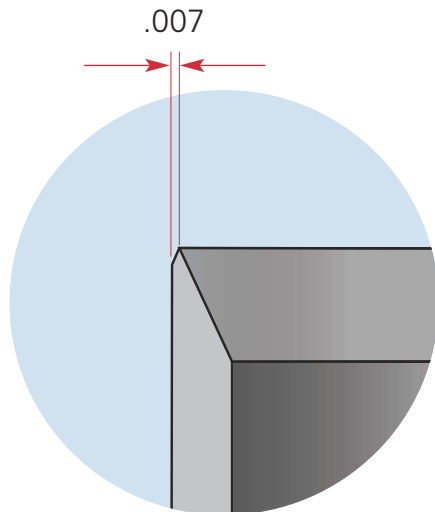
Designed for applications that require a razor-sharp and accurate cut.



THE ORIGINAL
W007
STRAIGHT CUT PUNCHES

- 4130 High Carbon Steel
- Minimum Support, Inside Bevel Punch
- Reduced wall thickness allows for the use of larger springs when needed.
- A cut above a traditional straight O.D!

Designed for the Printed Circuit and Membrane Switch Industries, as well as other diecutting applications that require a sharp, straight cut. Wagner's 007 Series punches cut cleanly with much less pressure than a traditional straight wall (straight o.d.) punches.



Wagner 007's .007" support bevel allows for reduced wall thickness, use of large springs when needed, and provides straight, accurate cuts with reduced pressure.

Cutting Edge Technology from the punch experts at Wagner!

007 SERIES - Sizes available in stock					
Base Size	Cut Size	Base Size	Cut Size	Base Size	Cut Size
9/64	1/8	9/32	17/64	27/64	13/32
5/32	9/64	19/64	9/32	29/64	7/16
11/64	5/32	21/64	5/16	15/32	29/64
13/64	3/16	11/32	21/64	31/64	15/32
7/32	13/64	23/64	11/32	33/64	1/2
15/64	7/32	25/64	3/8	Available heights in stock: .937 and .918	
17/64	1/4	13/32	25/64	Other heights available upon request.	

W West

2041 Elm Court • Ontario, CA 91761
Toll-Free: (800) 423-4478
Toll-Free Fax Orders: (866) 786-2437

W Southwest

2532 Converse Street • Dallas, TX 75207
Toll-Free: (800) 262-4695
Toll-Free Fax Orders: (800) 446-6651

W Midwest

960 Industrial Drive • Elmhurst, IL 60126
Toll-Free: (800) 334-7914
Toll-Free Fax Orders: (800) 554-9124